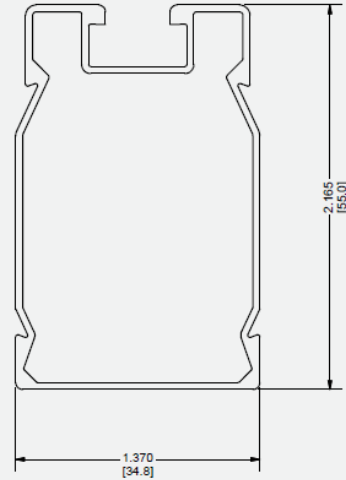


## SMR100 Rail



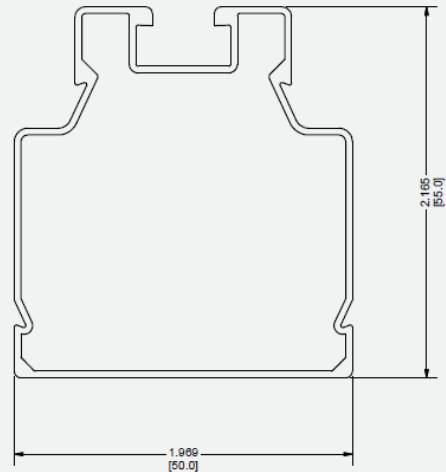
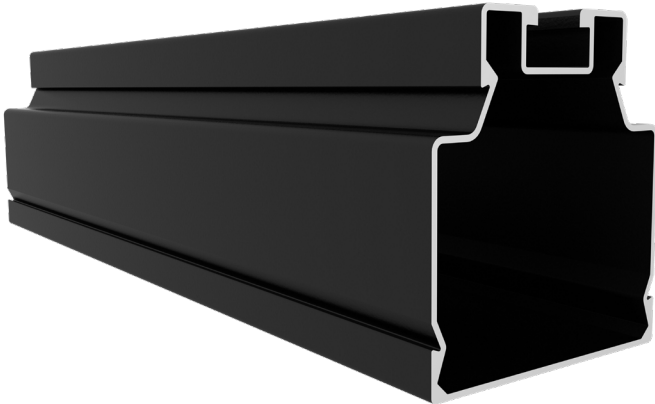
### Mechanical Properties

Material: 6005-T5 Aluminum  
 Weight: 0.4126 lbs/ft (0.614 kg/m)  
 Ultimate Tensile Strength: 37.7 ksi (260 MPa)  
 Yield Strength: 34.8 ksi (240 MPa)

### Section Properties

Sx: 0.196 in<sup>3</sup> (3.21 cm<sup>3</sup>)  
 Sy: 0.146 in<sup>3</sup> (2.39 cm<sup>3</sup>)  
 Area (X-section): 0.352 in<sup>2</sup> (2.27 cm<sup>2</sup>)

## SMR200 Rail



### SMR200 Rail

### Mechanical Properties

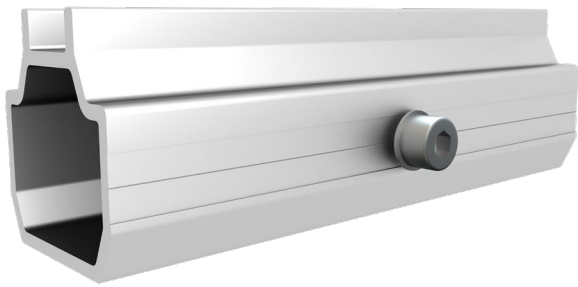
Material: 6005-T5 Aluminum  
 Weight: 0.645 lbs/ft (0.960 kg/m)  
 Ultimate Tensile Strength: 37.7 ksi (260 MPa)  
 Yield Strength: 34.8 ksi (240 MPa)

### Section Properties

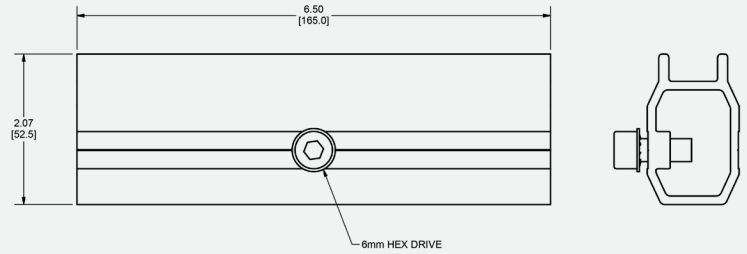
Sx: 0.321 in<sup>3</sup> (5.26 cm<sup>3</sup>)  
 Sy: 0.272 in<sup>3</sup> (4.46 cm<sup>3</sup>)  
 Area (X-section): 0.551 in<sup>2</sup> (3.55 cm<sup>2</sup>)

Part Number	Description
A20422-168-BK	SMR100 Rail, Black Anodized, 168"
A20453-168-BK	SMR200 Rail, Black Anodized, 168"
A20440-BK1	Rail End Cap, SMR100, Black
A20440-BK2	Rail End Cap, SMR200, Black

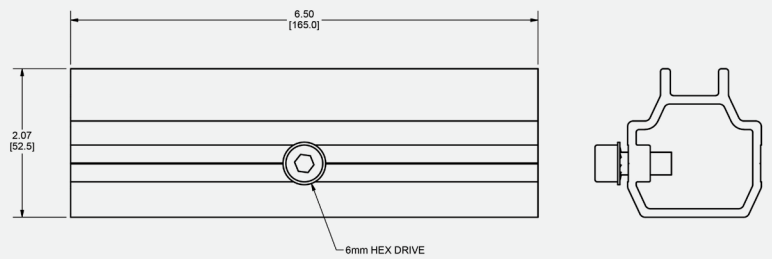
## SMR Rail Splices



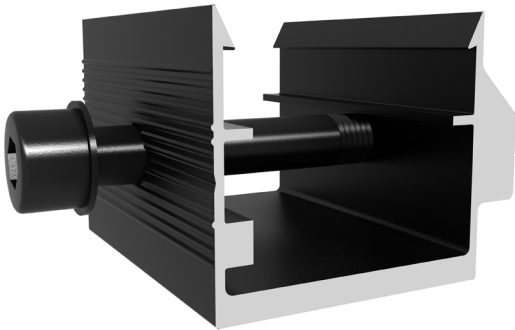
### SMR100 Bonding Rail Splice



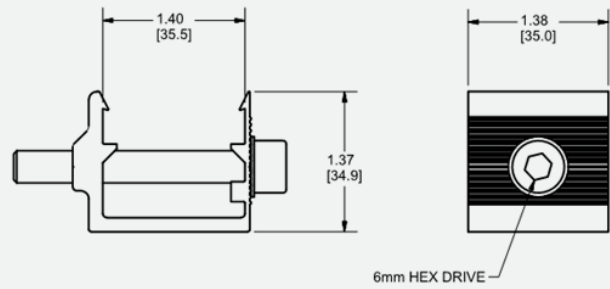
### SMR200 Bonding Rail Splice



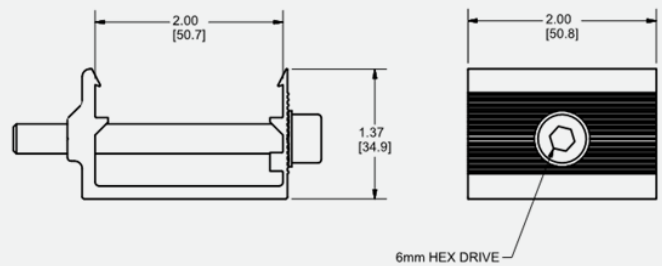
## L-Foot Adaptors



### SMR100 L-Foot Adaptor



### SMR200 L-Foot Adaptor



Part Number	Description
K10421-002	Structural Splice, SMR100
K10462-002	Structural Splice, SMR200
K10433-BK1	L Foot Adaptor, SMR100, Black
K10434-BK1	L Foot Adaptor, SMR200, Black

- Materials:
1. Extrusions 6005-T5 Aluminum
  2. Hardware 304 Stainless Steel

## Pop-On Mid Clamp



## Pop-On End Clamp



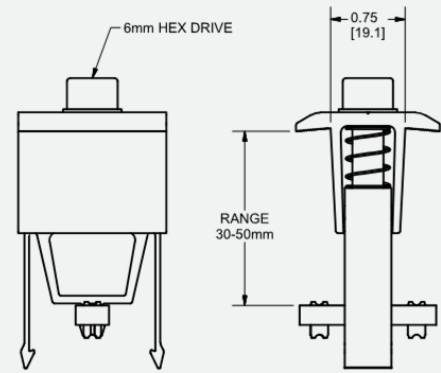
## Shared Rail Mid/End Clamp



Part Number	Description
K10417-BK1	Mid Clamp, SMR Pop-On, Black
K10418-BK1	End Clamp, SMR Pop-On, Black
K10419-BK1	Shared Rail Mid Clamp, SMR Pop-On, Black
K10420-BK1	Shared Rail End Clamp, SMR Pop-On, Black

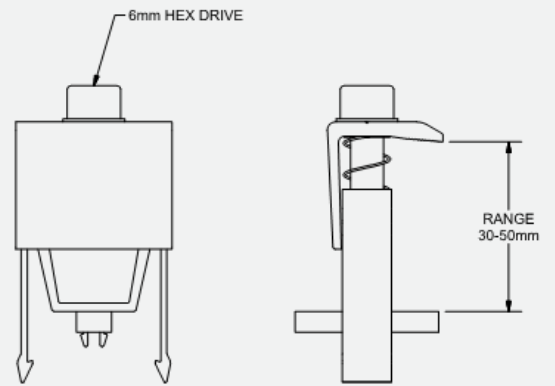
### Pop-On Bonding Mid Clamp

Material: Aluminum



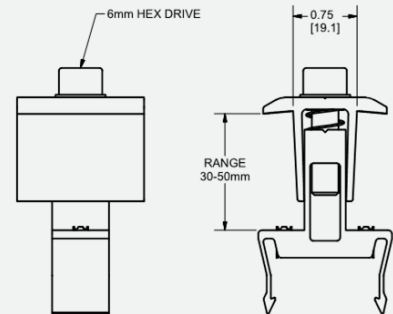
### Pop-On End Clamp

Material: Aluminum



### Shared Rail Bonding Mid Clamp

Material: Aluminum



### Shared Rail End Clamp

Material: Aluminum

